

LYRAS Cold Pasteurization

TAP – for liquids with medium to high UV transparency

For effective inactivation of bacteria, fungi, and spores.



Applicable for:

Water, process water, brine, permeate and more.

Advantages

- Air cooled and thereby not affected by flow stops
- Meets the highest safety standards and HACCP requirements, as no glass is used in the system
- CIP optimized and can be in operation 24/7
- Can take part in any ordinary cleaning cycle
- Can handle drastic variations in product quality if contamination spikes occur
- Robust, compact, and efficient design
- Significantly less service and maintenance
- Plug n' play – Easy to install
- Integrated light traps which ensures no downstream algae growth

Compact, simple and efficient

The TAP is a simple solution for treatment of lightly obscured liquids; it is highly efficient, reliable, and safe. It can achieve drinking water standard compliant results while becoming a part of your production that you will never have to worry about. The UV lamps are air-cooled which ensures that even if the production is unintentionally stopped the system will not overheat or cause any damage. The system has no liquid-glass contact surfaces, thereby eliminating the risk of glass contamination in your production due to cavitation or other damage.

The system can be implemented directly into your production line without major modifications; it is a simple plug and play solution that can be installed and running within a few hours.

The system can serve several different purposes in your facility; it can be used to remove bacteria including thermophiles, spores, viruses and fungi in brine, water, process water, permeate and more.

It is a compact versatile system that can help you save time, energy and production costs.

Functionality

- Hygienically designed and CIP compatible
- Variable production flow
- Easy to control remotely through Wi-Fi or Ethernet connection
- All food contact surfaces made with certified food-grade materials

Technical Data

Processing Parameters

Liquid Temperature, °C	≤ 85
Viscosity, cPs	≤ 3
Operating Pressure, bar	≤ 3
Pressure at max. Temperature, bar	≤ 3
Capacity, L/h	≤ 10000

Connections

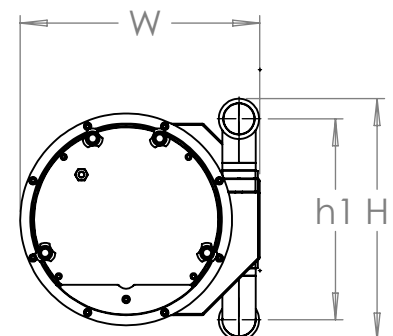
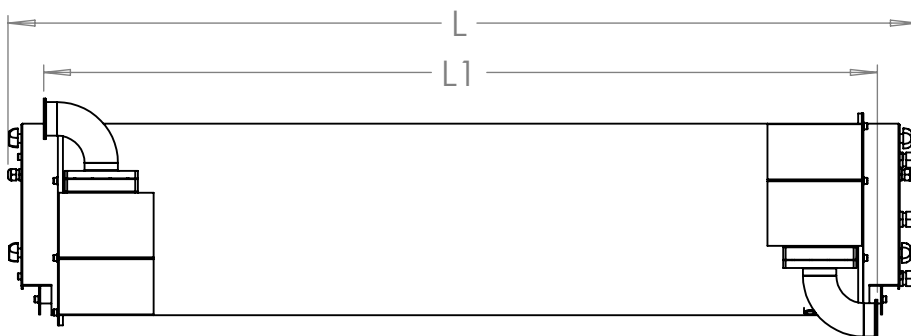
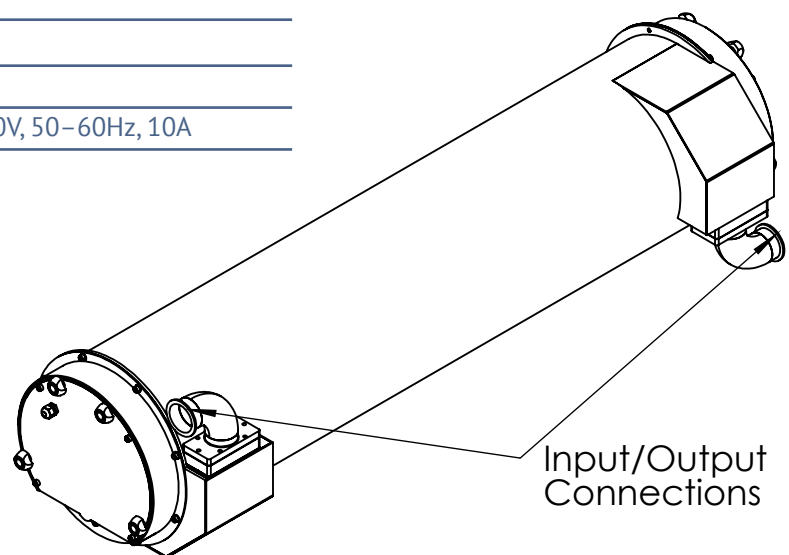
Inlet / Outlet, mm/in	64/2 Tri Clamp
-----------------------	----------------

Consumption Data

Installed Power, kW	<1
Power Supply	220V, 50–60Hz, 10A

Dimensions

Length, mm	1443
Width, mm	380
Height, mm	383
L1 - Length between input/output connections, mm	1323
h1 - Height between input/output connections, mm	319



+45 22 13 54 48



www.lyras.dk



Gugvej 148, DK-9210 Aalborg



contact@lyras.dk